

**PLUMBING SPECIFICATIONS**

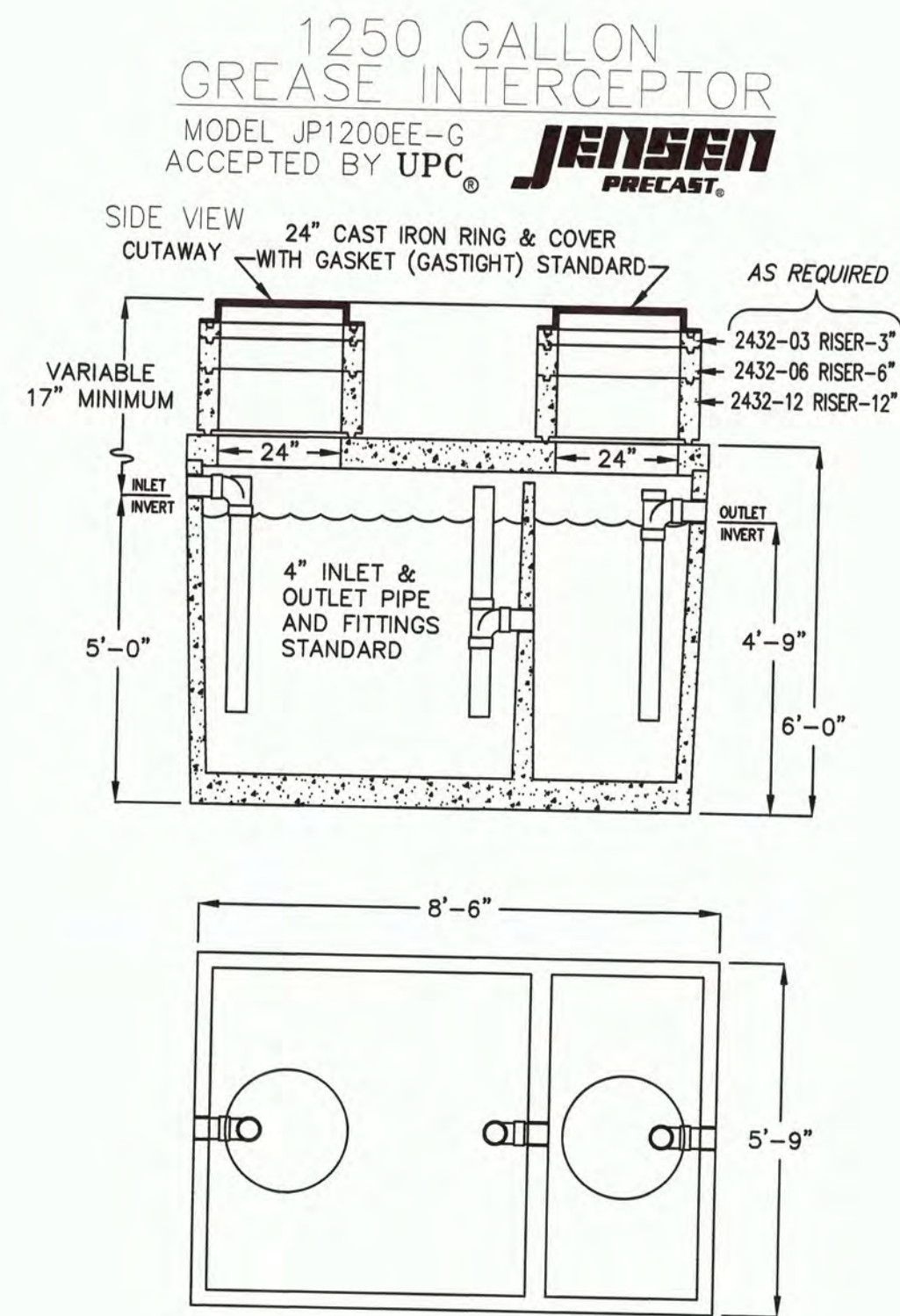
- ALL WORK SHALL BE DONE IN ACCORDANCE WITH THE 2018 UNIFORM PLUMBING CODE AND WITH LOCAL CODE AMENDMENTS.
- ALL DESIGNS TO COMPLY WITH THE 2018 UNIFORM PLUMBING CODE AND LOCAL AMENDMENTS.
- DRAWINGS ARE DIAGRAMMATIC AND INDICATE THE GENERAL ARRANGEMENT OF SYSTEMS AND WORK INCLUDED.
- A PRESSURE REDUCING VALVE SHALL BE INSTALLED WHEN INCOMING WATER PRESSURE EXCEEDS 80psi.
- WATER HAMMER ARRESTORS TO BE INSTALLED WHERE REQUIRED.
- SEDIMENT TRAPS TO BE INSTALLED WHERE NECESSARY TO COMPLY WITH THE 2018 UNIFORM PLUMBING CODE.
- WATER PIPES TO BE INSULATED, WITH CLOSED CELL NEOPRENE PIPE INSULATION (MINIMUM RATING R-3), WHEN INSTALLED IN UNCONDITIONED SPACES & ON ALL HOT WATER RECIRC SYSTEMS.
- ALL PLUMBING FIXTURES SHALL BE PROVIDED WITH SHUT-OFF VALVES AND UNIONS, WHICH INCLUDES ANGLE STOPS WITH FLEXIBLE SUPPLY LINES.
- ALL ROOF DRAINS SHALL DRAIN INTO A SEPARATE STORM SEWER OR OTHER PLACE SATISFACTORY BY THE AUTHORITY HAVING JURISDICTION (UPC 1101.2)

7/29/19  
 ROOFS SHALL BE DRAINED INTO A SEPARATE STORM SYSTEM OR OTHER PLACE DEEMED SATISFACTORY TO THE AHJ.

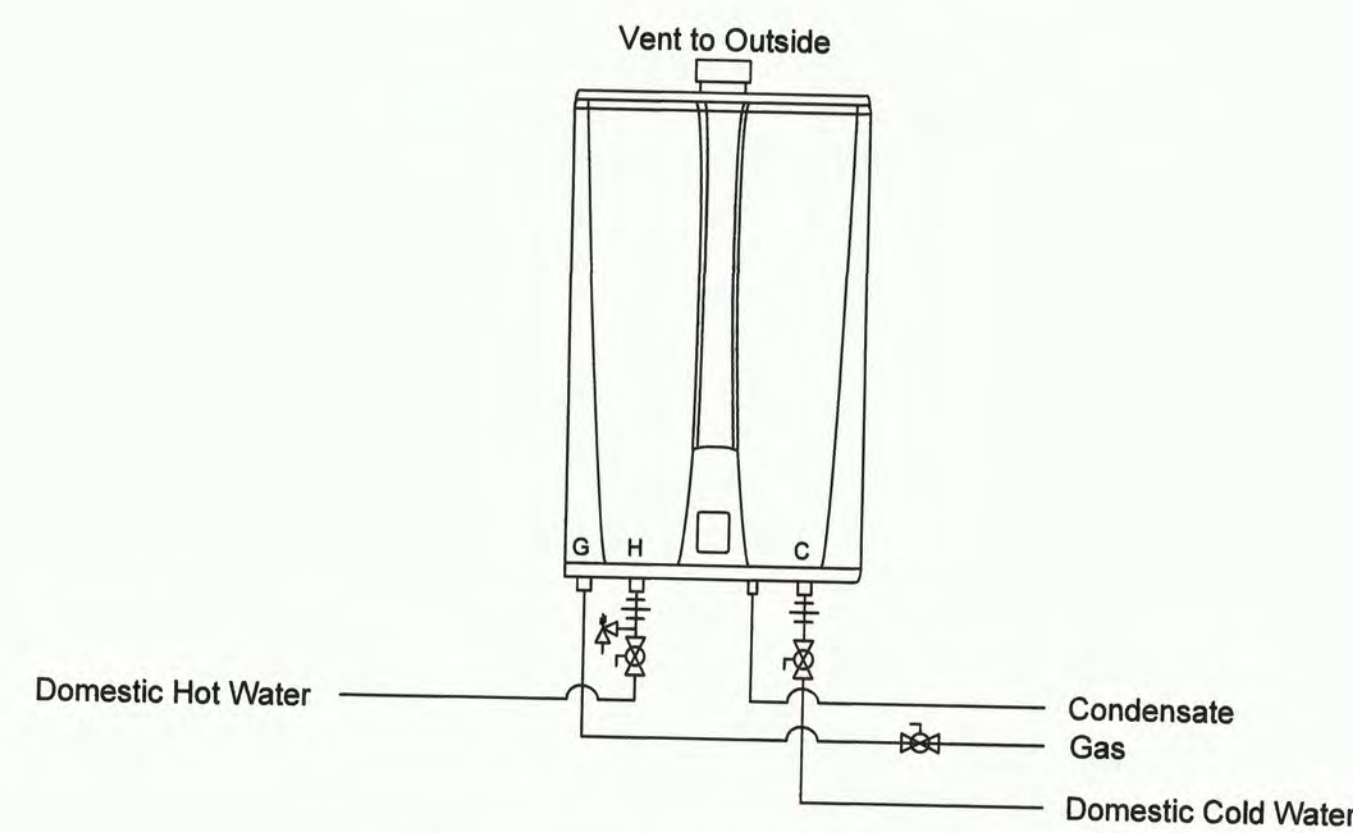
PIPING MATERIAL PRODUCTS	
WATER PIPING (BELOW SLAB):	UPONOR, TYPE "A" PEX TUBING (NO FITTINGS PERMITTED BELOW SLAB) OR TYPE "L" COPPER w/ BRAZED JOINTS
WATER PIPING (ABOVE SLAB):	UPONOR, TYPE "A" PEX TUBING w/ ENGINEERED PLASTIC (EP) FITTINGS
SANITARY WASTE & VENT PIPING:	PVC-DWV OR ABS
GREASE WASTE & VENT PIPING:	PVC-DWV OR ABS
CONDENSATE DRAIN PIPING:	SCHEDULE 40 PVC &/or TYPE "M" COPPER
GAS PIPING:	SCHEDULE 40 MALLEABLE BLACK IRON

FIXTURE SCHEDULE		
FIXTURE:	MODEL:	REMARKS:
WATER CLOSET (ADA)	BY OWNER	FLOOR MOUNT, 1.6gpf, ADA COMPLIANT
WATER CLOSET	BY OWNER	FLOOR MOUNT, 1.6gpf
URINAL	BY OWNER	WALL MOUNT, HUNG AT ADA COMPLIANT HEIGHT
URINAL FLUSH VALVE	BY OWNER	1.0gpf, MANUAL FLUSH, ADA COMPLIANT
LAVATORY	BY OWNER	WALL MOUNT, HUNG AT ADA COMPLIANT HEIGHT
LAVATORY FAUCET	BY OWNER	1.0gpm FLOW RATE, ADA COMPLIANT
SHAMPOO BOWL	BY OWNER	2.0gpm FLOW RATE
INSTANTANEOUS HEATER	CHRONOMITE SR-30L/120	120v / 3.6kw / 30amp
GREASE INTERCEPTOR	JENSEN JP1200EE-G	1200 GALLON CAPACITY, TRAFFIC RATED

FIXTURE CONNECTION SCHEDULE				
FIXTURE:	WASTE:	VENT:	CW:	HW:
WATER CLOSET (ADA)	3"	2"	1/2"	-
WATER CLOSET	3"	2"	1/2"	-
URINAL	2"	1-1/2"	3/4"	-
LAVATORY	1-1/2"	1-1/2"	1/2"	1/2"
SHAMPOO BOWL	2"	1-1/2"	1/2"	1/2"



**1 GREASE INTERCEPTOR DETAIL**  
 Scale: NONE  
 LIQUID CAPACITY: 1,250 GALLONS.  
 BOX DESIGN LOAD: H-20 TRAFFIC FROM 1' TO 6" OF SOIL COVER.  
 FOR COMPLETE DESIGN AND PRODUCT INFORMATION CONTACT JENSEN PRECAST.

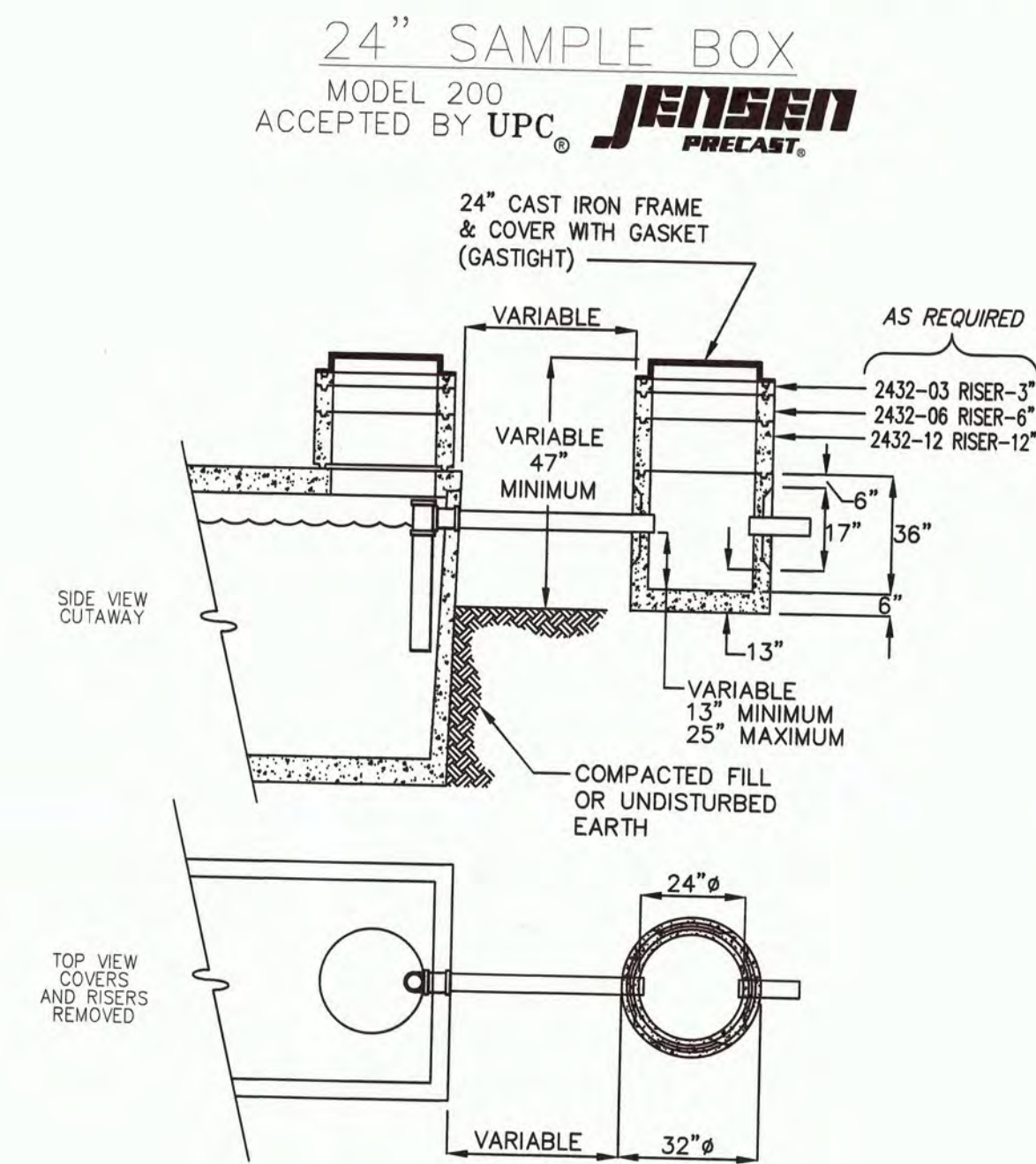


**3 TANKLESS HEATER DETAIL**  
 Scale: NONE

7/29/19  
 GREASE INTERCEPTOR SIZING PROVIDED

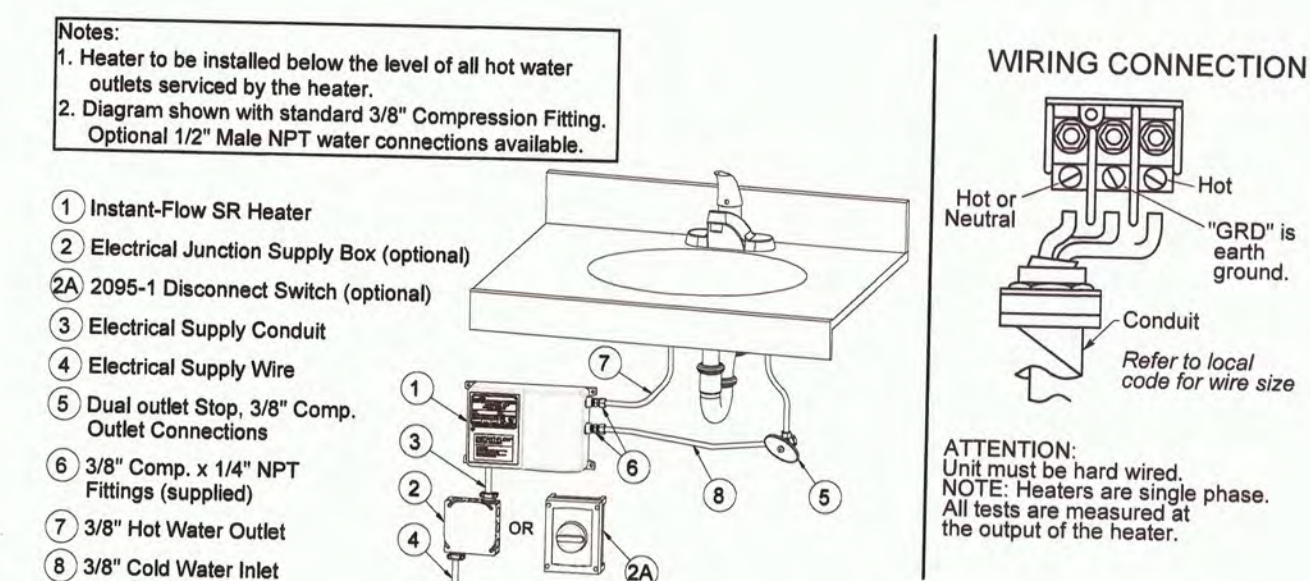
2018 UPC TABLE 1014.3.6 (GRAVITY GREASE INTERCEPTOR SIZING)	
ALL SIZING SHALL BE BASED OFF OF SECTION 1014.3 OF THE 2018 UPC	
21 MAXIMUM DFU'S ALLOWED	750 GALLON INTERCEPTOR REQUIRED
35 MAXIMUM DFU'S ALLOWED	1,000 GALLON INTERCEPTOR REQUIRED
90 MAXIMUM DFU'S ALLOWED	1,250 GALLON INTERCEPTOR REQUIRED
172 MAXIMUM DFU'S ALLOWED	1,500 GALLON INTERCEPTOR REQUIRED

10/7/19  
 PLUMBING FLOOR PLANS TO MATCH ARCHITECTURAL DRAWINGS



**2 SAMPLE BOX DETAIL**  
 Scale: NONE  
 BOX WEIGHT: 1400 LBS.  
 BOX DESIGN LOAD: H-20 TRAFFIC  
 SAMPLE BOX MUST BE PLACED ON SUITABLE BASE OF COMPACTED SOIL OR UNDISTURBED EARTH IN TRAFFIC CONDITION. FOR COMPLETE DESIGN AND PRODUCT INFORMATION, CONTACT JENSEN PRECAST.

**INSTANT-FLOW SR - STANDARD FLOW**



**4 INSTANTANEOUS HEATER DETAIL**  
 Scale: NONE

**RAPTOR PLUMBING LLC**  
 These plans are prepared and submitted by the contractor as an estimate only. For work under the contractor's license category authorized under NYS 804.  
 Raptor Plumbing  
 Company Name  
 0076793  
 Contractor License Number  
 MALD  
 Contractor Representative  
 (Please Print)  
 Signature

LEGEND:	
SS	SANITARY SEWER
GW	GREASE WASTE
VTR	VENT THRU ROOF
CW	COLD WATER
HW	HOT WATER
HWR	HOT WATER RETURN
CD	CONDENSATE DRAIN
2CO	2-WAY CLEAN-OUT
FCO	FLOOR CLEAN-OUT
WCO	WALL CLEAN-OUT
FD	FLOOR DRAIN
FS	FLOOR SINK

REVISION	DATE	BY
1	7/29/19	bak
2	10/7/19	bak

8755 LINDELL RD  
 LAS VEGAS, NV 89139  
 T: (702) 257-7511 F: (702) 410-5011  
 NV STATE LICENSE # 0076793

SHELL BUILDING IMPROVEMENT  
 37 S. WATER STREET  
 HENDERSON, NV 89015  
**PLUMBING PLAN**

DRAWN BY  
 bak  
 DATE  
 01/18/19  
 FILE NAME  
 37 S. WATER STREET SHELL  
 SCALE  
 1/4"=1'-0"  
**P1.0**

2018 UPC TABLE 610.4 (150ft COLUMN)

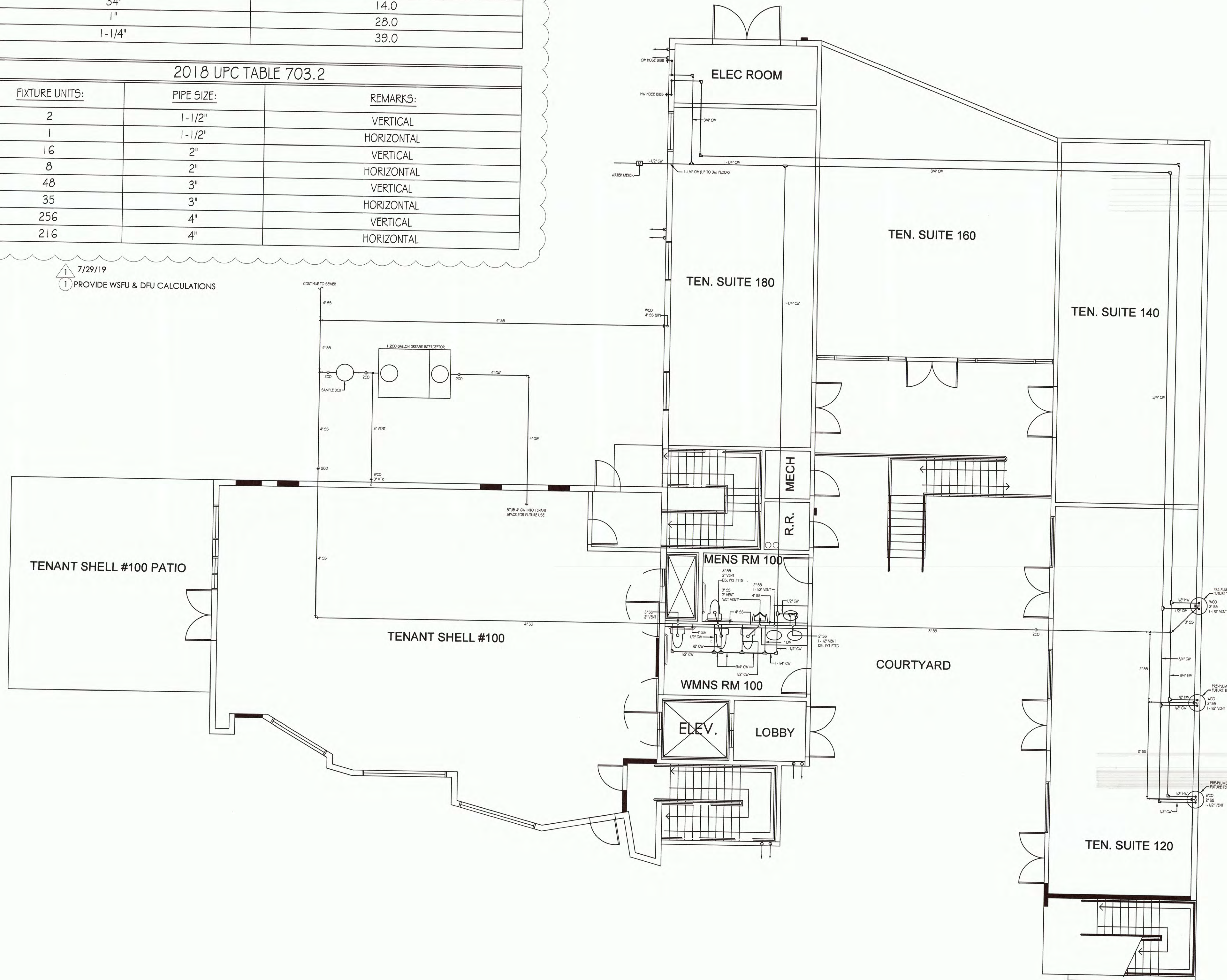
STATIC PRESSURE: 53psi / TOTAL DEVELOPED LENGTH: 146'-0" / METER SIZE: 3/4"

1/2"	4.0
3/4"	14.0
1"	28.0
1-1/4"	39.0

2018 UPC TABLE 703.2

FIXTURE UNITS:	PIPE SIZE:	REMARKS:
2	1-1/2"	VERTICAL
1	1-1/2"	HORIZONTAL
16	2"	VERTICAL
8	2"	HORIZONTAL
48	3"	VERTICAL
35	3"	HORIZONTAL
256	4"	VERTICAL
216	4"	HORIZONTAL

7/29/19  
1 PROVIDE WSFU & DFU CALCULATIONS



2 10/7/19  
1 PLUMBING FLOOR PLANS TO MATCH ARCHITECTURAL DRAWINGS

REVISION	DATE	BY
1	7/29/19	bak
2	10/7/19	bak

8755 LINDELL RD  
LAS VEGAS, NV 89139  
T: (702) 257-7511 F: (702) 410-5011  
NV STATE LICENSE # 0076793



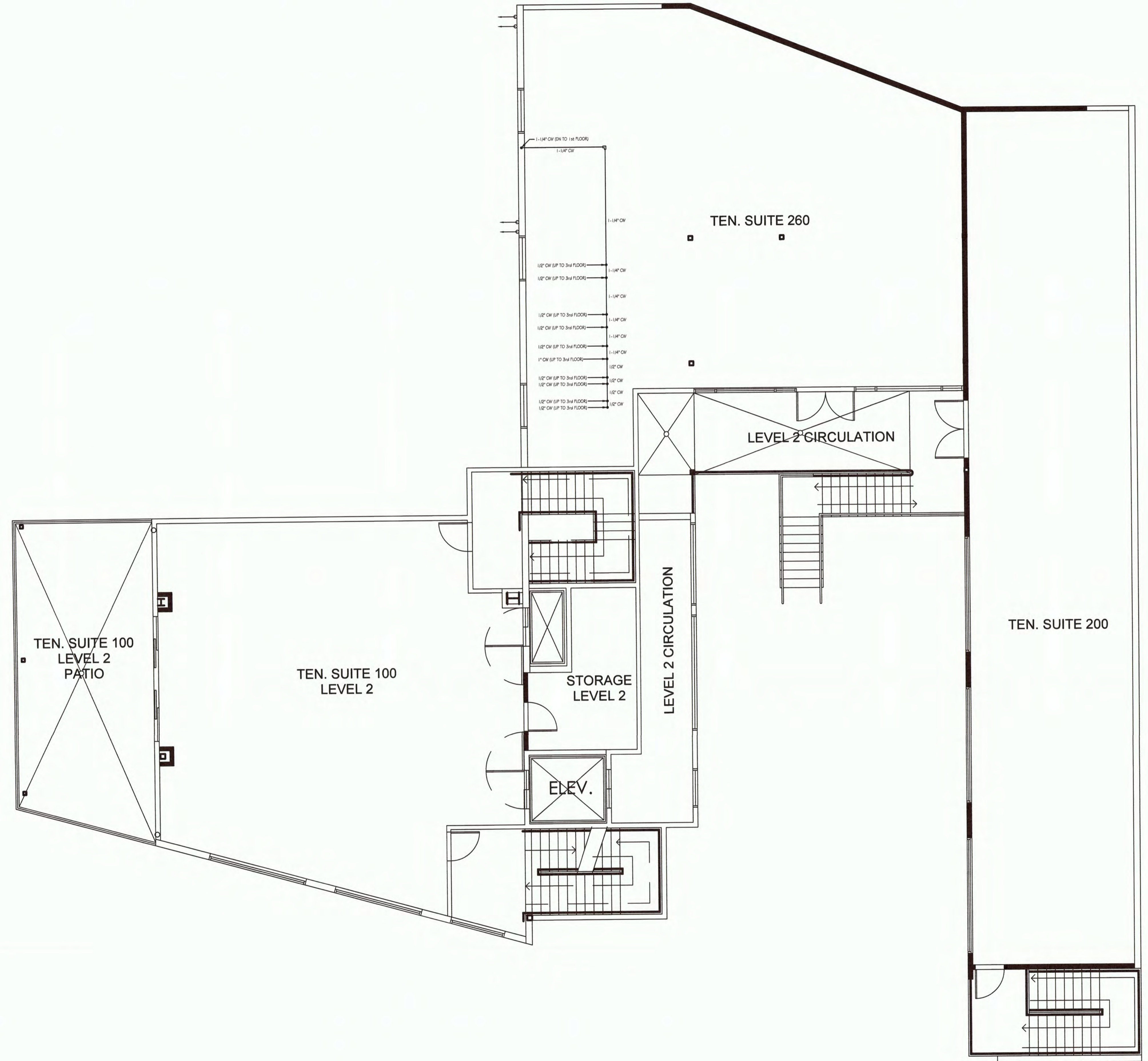
**RAPTOR PLUMBING LLC**  
These plans are prepared and submitted by the contractor as an exemption to NRS 623.330 for work under the contractor's license category authorized under NRS 624.  
**RAPTOR PLUMBING** Company Name  
**MARIO Taramici** Contractor Representative (please print)  
Signature  
0076793 Contractor License Number

LEGEND:	
SS	SANITARY SEWER
GW	GREASE WASTE
VTR	VENT THRU ROOF
CW	COLD WATER
HW	HOT WATER
HWR	HOT WATER RETURN
CD	CONDENSATE DRAIN
2CO	2-WAY CLEAN-OUT
FCO	FLOOR CLEAN-OUT
WCO	WALL CLEAN-OUT
FD	FLOOR DRAIN
FS	FLOOR SINK
SOV	SHUT-OFF VALVE
PRV	PRESSURE REDUCING VALVE
WSL	SOFT WATER LOOP

SHELL BUILDING IMPROVEMENT  
37 S. WATER STREET  
HENDERSON, NV 89015  
PLUMBING PLAN

DRAWN BY  
bak  
DATE  
01/18/19  
FILE NAME  
37 S. WATER STREET SHELL  
SCALE  
3/16"=1'-0"  
**P2.1**

REVISION	DATE	BY
1		
2	10/7/19	bak



8755 LINDELL RD  
 LAS VEGAS, NV 89139  
 T: (702) 257-7511 F: (702) 410-5011  
 NV STATE LICENSE # 0076793



**RAPTOR PLUMBING LLC**  
 These plans are prepared and submitted by the contractor as an exemption to NRS 623.330 for work under the contractor's license category authorized under NRS 624

**RAPTOR PLUMBING** Company Name  
**MAJID JANNALI** Contractor Representative (Please print)  
 Signature

0076793  
 Contractor License Number

LEGEND:	
SS	SANITARY SEWER
GW	GREASE WASTE
VTR	VENT THRU ROOF
CW	COLD WATER
HW	HOT WATER
HWR	HOT WATER RETURN
CD	CONDENSATE DRAIN
FCO	FLOOR CLEAN-OUT
WCO	WALL CLEAN-OUT
FD	FLOOR DRAIN
F5	FLOOR SINK

SHELL BUILDING IMPROVEMENT  
 37 S. WATER STREET  
 HENDERSON, NV 89015  
**PLUMBING PLAN**

DRAWN BY  
 bak

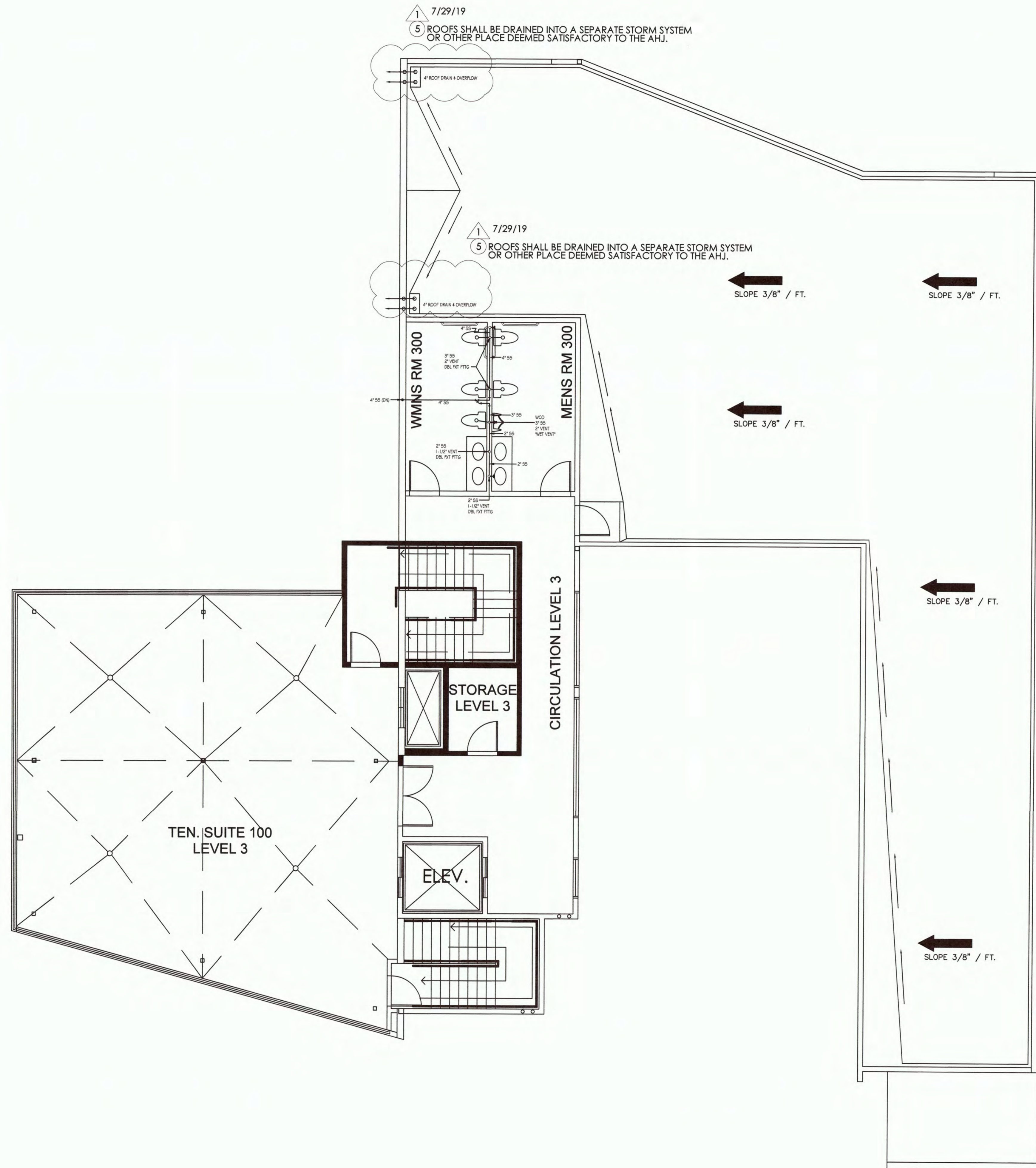
DATE  
 01/18/19

FILE NAME  
 37 S. WATER STREET SHELL

SCALE  
 3/16"=1'-0"

**P2.2**

REVISION	DATE	BY
1	7/29/19	bak
2	10/7/19	bak



8755 LINDELL RD  
 LAS VEGAS, NV 89139  
 T: (702) 257-7511 F: (702) 410-5011  
 NV STATE LICENSE # 0076793



SHELL BUILDING IMPROVEMENT  
 37 S. WATER STREET  
 HENDERSON, NV 89015  
 PLUMBING PLAN

**RAPTOR PLUMBING LLC**  
 These plans are prepared and submitted by the contractor as an exemption to NRS 623.330 for work under the contractor's license category authorized under NRS 624

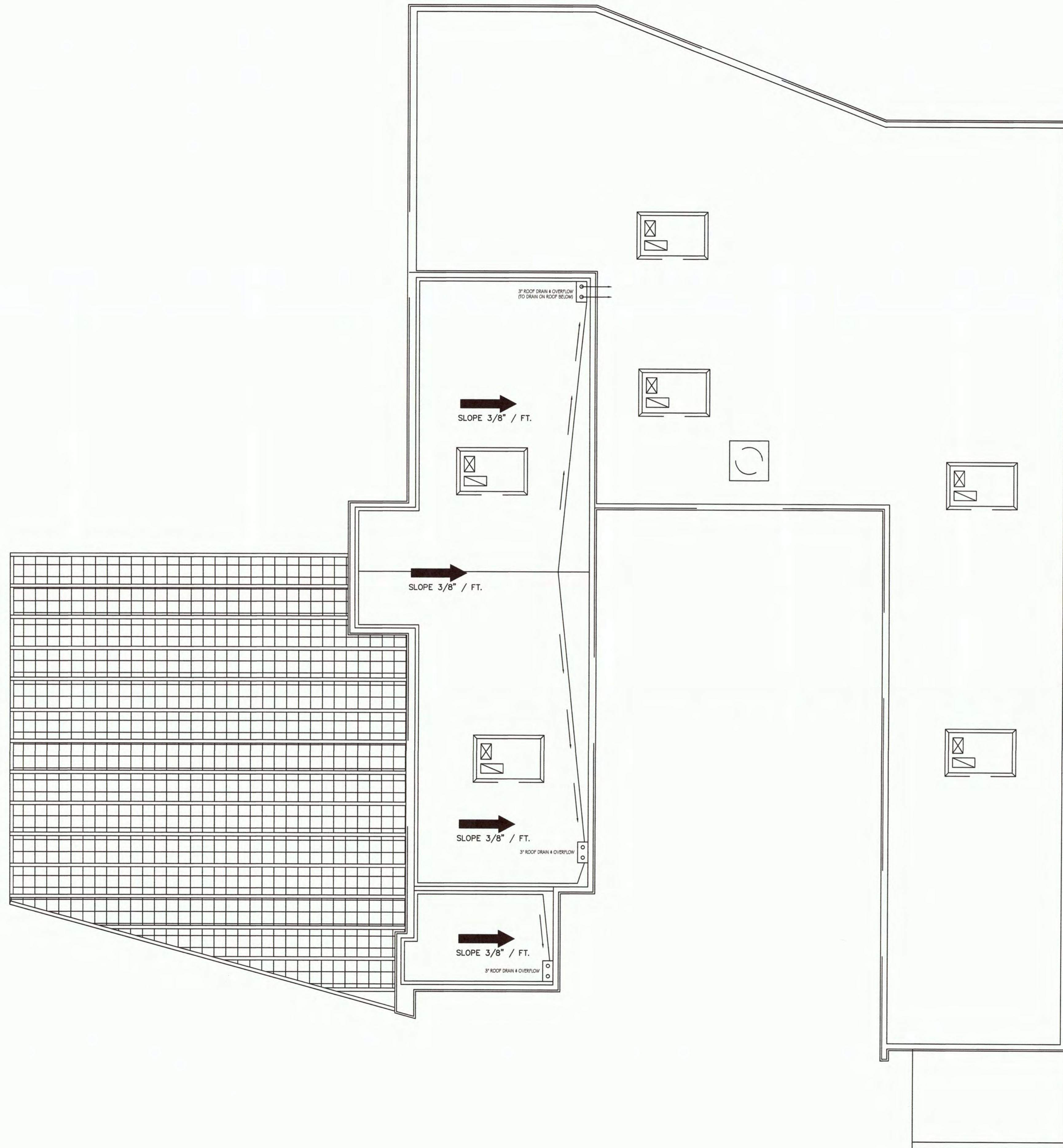
**RAPTOR PLUMBING** Company Name  
**MARIO Jannini** Contractor Representative (please print)  
 Signature

0076793  
 Contractor License Number

LEGEND:	
SS	SANITARY SEWER
GW	GREASE WASTE
VTR	VENT THRU ROOF
CW	COLD WATER
HW	HOT WATER
HWR	HOT WATER RETURN
CD	CONDENSATE DRAIN
FCO	FLOOR CLEAN-OUT
WCO	WALL CLEAN-OUT
FD	FLOOR DRAIN
FS	FLOOR SINK

DRAWN BY  
 bak  
 DATE  
 01/18/19  
 FILE NAME  
 37 S. WATER STREET SHELL  
 SCALE  
 3/16"=1'-0"

**P2.3**



REVISION	DATE BY
2	10/7/19 bak
1	

8755 LINDELL RD  
 LAS VEGAS, NV 89139  
 T: (702) 257-7511 F: (702) 410-5011  
 NV STATE LICENSE # 0076793

SHELL BUILDING IMPROVEMENT  
 37 S. WATER STREET  
 HENDERSON, NV 89015  
**PLUMBING PLAN**

**RAPTOR PLUMBING LLC**  
 These plans are prepared and submitted by the contractor as an exemption to NRS 623.330 for work under the contractor's license category authorized under NRS 624.

RAPTOR PLUMBING Company Name  
 MARIO J. JARRELL Contractor Representative (please print)  
 0076793 Contractor License Number  
 Signature

LEGEND:	
SS	SANITARY SEWER
GW	GREASE WASTE
VTR	VENT THRU ROOF
CW	COLD WATER
HW	HOT WATER
HWR	HOT WATER RETURN
CD	CONDENSATE DRAIN
FCO	FLOOR CLEAN-OUT
WCO	WALL CLEAN-OUT
FD	FLOOR DRAIN
FS	FLOOR SINK

DRAWN BY  
 bak  
 DATE  
 01/18/19  
 FILE NAME  
 37 S. WATER STREET SHELL  
 SCALE  
 3/16"=1'-0"  
**P2.4**